



*Island & River Collections*  
multi fuel stoves



Henley Stoves is Ireland's fastest growing stove brand. All our stoves are designed and manufactured with efficiency in mind and can boast of efficiencies of up to 79%.

**The Island Collection** is a 6kW to 21kW collection of 3 multi-fuel stoves, and an insert stove. All the stoves apart from the insert stove are available in enamel or cast Iron finish. The two largest stoves are also available in Boiler Models.

**The River Collection** of multi-fuel stoves is a collection of 4 traditional stoves from 6kW to 16kW. Available in cast iron, the River Collection, also features Boiler stoves on all but the 6kW model.



The Aran 6kW stove in cast iron



EST. 1985



The Cladagh in Matt Black Cast Iron

### Henley Stoves

Henley Stoves are based in County Kerry and have been making stoves for over a quarter of a century. Our experienced research and design team use the latest in technology to create super efficient stoves, certified to European CE standards and specifically tailored for the Irish market.

Each stove is hand built and tested for efficiency and emissions and subjected to continuous refinements until it is as close to perfect as can be. Only then is it sent to production. The story doesn't end here. Each hand assembled stove is continually checked for quality on every step of production. Finally, before packaging, every one of our stoves undergoes our rigorous 32 point quality check. Only when a stove has passed this stage is it fit to carry the "Henley" name.

## HENLEY STOVES

# The Natural Choice



**Cleanburn Technology** - An advanced method of burning, incorporating a secondary airflow, ensuring that the fuel is burnt to its full capacity, meaning much higher efficiencies for our stoves and a much lower impact on the environment.



**Airwash Technology** - A flow of air that runs by the window of all our stoves, keeping the glass clean allowing a perfect view of the fire within.



**EN3240 approved**

**CE EN3240 Approved** - A European Standard for heating appliances. Ensures that your stove has been approved and is safe for home use by the European Union.



The Aran in a matt black cast iron finish



The Aran in a brown enamel finish



## The Aran - 6kW room heater

The Aran is the smallest model in the Island Collection, but this doesn't mean it is lacking in appeal. With a 6kW output and an efficiency of up to 80%, The Aran certainly punches well above its weight.

This beautifully made stove is available in a choice of cast Iron, brown or black enamel. It is fitted with a riddling plate and ashpan so can handle wood or any solid fuel. It has an adjustable rate of burn allowing you to control its output. The Aran is lined with *pyrobrik* fire bricks which ensure a greater efficiency for your stove.

Add to this its secondary burning and airwash glass cleaning system and you have a stove that is loaded with features in a neat convenient size suitable for heating spaces up to 55m<sup>2</sup>.

*\*smaller legs are available for the Aran, allowing it to fit into smaller fireplace openings. Ask your local supplier for details*

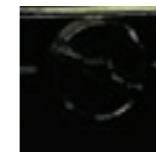
### AVAILABLE IN



cast iron



brown enamel



black enamel



EN3240  
approved

### Specifications

**Power** - 6kW (20,473BTU)

**Boiler Option** - No

**Finish** - Brown /Black Enamel  
or Cast Iron

**Self Cleaning** (airwash) - Yes

**Flue Location** - Top or Rear

**Flue Size** - 5"



The Skellig in a matt black cast iron finish



The Skellig in a brown enamel finish



## The Skellig - 11.5kW Stove

WITH BOILER OPTION

The Skellig is a mid sized stove that is available in a boiler or non boiler option. The boiler model delivers 7.5kw of power to the water and 4kw to the room ensuring warm rooms and warm water throughout the year.

The Skellig stove is available in a choice of cast Iron, brown or black enamel. With an output of 39,240BTU, the Skellig is the perfect choice for heating your water, radiators and your home. The Skellig is a multi fuel stove so you can fire it up with your choice of fuel. Like all Henley stoves it operates at a very high efficiency rate so you are assured that the heat your stove generates is being utilised to heat you, your home and your water and not escaping up your chimney.

Specifications	
<b>Power</b>	11.5kW (39, 240BTU)
<b>Boiler Option</b>	- Yes
<b>Power to Water</b>	7.5kW (25,5918BTU)
<b>Power to Room</b>	4kW (13,649BTU)
<b>Finish</b>	- Brown /Black Enamel or Cast Iron
<b>Self Cleaning (airwash)</b>	- Yes
<b>Flue Location</b>	- Top or Rear
<b>Flue Size</b>	- 6"

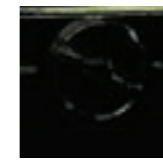
AVAILABLE IN



cast iron



brown enamel



black enamel



EN3240 approved



The Basket in a black enamel finish



The Basket in a brown enamel finish



## The Basket - 21kW Stove

BOILER STOVE

The Basket stove is a powerhouse of a stove, delivering 21kW of power to meet the needs of even the most demanding home owner. Available in matt black cast iron or in brown/ black enamel. Its output of 15kW to the water means that you will have piping hot water and radiators when needed, while enjoying 6kW of heat delivered to your room, making the Basket stove the ultimate choice in home heating.

Like all stoves in the Island and River Collections, this stove can burn all solid fuels and features airwash and cleanburn technology.

### Specifications

- Power** - 21kW (71,655BTU)
- Boiler Option** - Yes
- Power to Water** - 15kW (51,182BTU)
- Power to Room** - 6kW (20,473BTU)
- Finish** - Brown /Black Enamel or Cast Iron
- Self Cleaning (airwash)** - Yes
- Flue Location** - Top or Rear
- Flue Size** - 6"

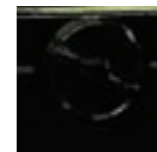
### AVAILABLE IN



cast iron



brown enamel



black enamel





The Valentia in a matt black cast iron finish



The Valentia in a matt black cast iron finish



## The Valentia - 7kW Insert Stove

The Valentia Insert Stove is the perfect solution for those looking for the efficiencies of a stove yet wishing to keep the traditional appearance of a fireplace. This multi fuel insert stove delivers a surprising 7kW of power, which you will find is a vast improvement over your existing traditional open fire and means greater efficiencies for your pocket and the environment.

**Specifications**

- Power - 7kW (23,885BTU)
- Boiler Option - No
- Finish - Cast Iron
- Self Cleaning (airwash) - Yes
- Flue Location - Rear
- Flue Size - 6"

AVAILABLE IN



cast iron





The Erne in a matt black cast iron finish



## The Erne - 6kW room heater

The Erne room heater is the smallest stove in the river collection. It is the ideal stove to deliver great savings in heating costs for those with open fires. Simply install in place of, or retro fit to an open fire and watch massive fuel savings being delivered. It's efficiency rating of 75% will see you make savings of over 60 % on your solid fuel bill. Install the Erne and it will pay for itself in one winter.

### Specifications

- Power - 6kW (20,473BTU)
- Boiler Option - No
- Finish - Cast Iron
- Self Cleaning (airwash) - Yes
- Flue Location - Top or Rear
- Flue Size - 5"

### AVAILABLE IN



cast iron





The Tolka in a matt black cast iron finish



## The Tolka - 12kW Stove

WITH BOILER OPTION

The Tolka is a mid sized stove with optional boiler. It features double doors, giving you plenty of room for fuel and a stately appearance. Not only will the Tolka warm your room, but it will ensure that your water and radiators keep you and your home warm throughout the cold months.

### Specifications

- Power** - 12kW (40,946BTU)  
10kW (34,121BTU - room heater)
- Boiler Option** - Yes
- Power to Water** - 8kW  
(27,297BTU)
- Power to Room** - 4kW  
(13,649BTU)
- Finish** - Cast Iron
- Self Cleaning** (airwash) - Yes
- Flue Location** - Top or Rear
- Flue Size** - 6"

### AVAILABLE IN



cast iron



EN3240  
approved



The Laune in a matt black cast iron finish



## The Laune - 16kW Stove

WITH BOILER OPTION

The Laune 16kW stove is a large stove delivering plenty of heat and piping hot water throughout your home. This traditional stove features crisp, clean lines and a minimal of decoration, and is the epiphany of understated elegance.

### Specifications

- Power** - 16kW (54,594BTU)  
14kW (47,770BTU - room heater)
- Boiler Option** - Yes
- Power to Water** - 10kW  
(34,121BTU)
- Power to Room** - 6kW  
(20,473BTU)
- Finish** - Cast Iron
- Self Cleaning** (airwash) - Yes
- Flue Location** - Top or Rear
- Flue Size** - 6"

### AVAILABLE IN



cast iron





The Cladagh in a matt black cast iron finish



## The Cladagh - 16kW Stove

WITH BOILER OPTION

The Cladagh stove with boiler option is the second 16kW stove in the River Collection. Its large firebox and grate gives you plenty of room to burn large logs and turf. Its large ornate vision panel means you can sit back and enjoy the view as the Cladagh heats your home and water.

Specifications	
<b>Power</b>	16kW (54,594BTU) 14kW (47,770BTU - room heater)
<b>Boiler Option</b>	- Yes
<b>Power to Water</b>	- 10kW (34,121BTU)
<b>Power to Room</b>	- 6kW (20,473BTU)
<b>Finish</b>	- Cast Iron
<b>Self Cleaning</b> (airwash)	- Yes
<b>Flue Location</b>	- Top or Rear
<b>Flue Size</b>	- 6"

AVAILABLE IN



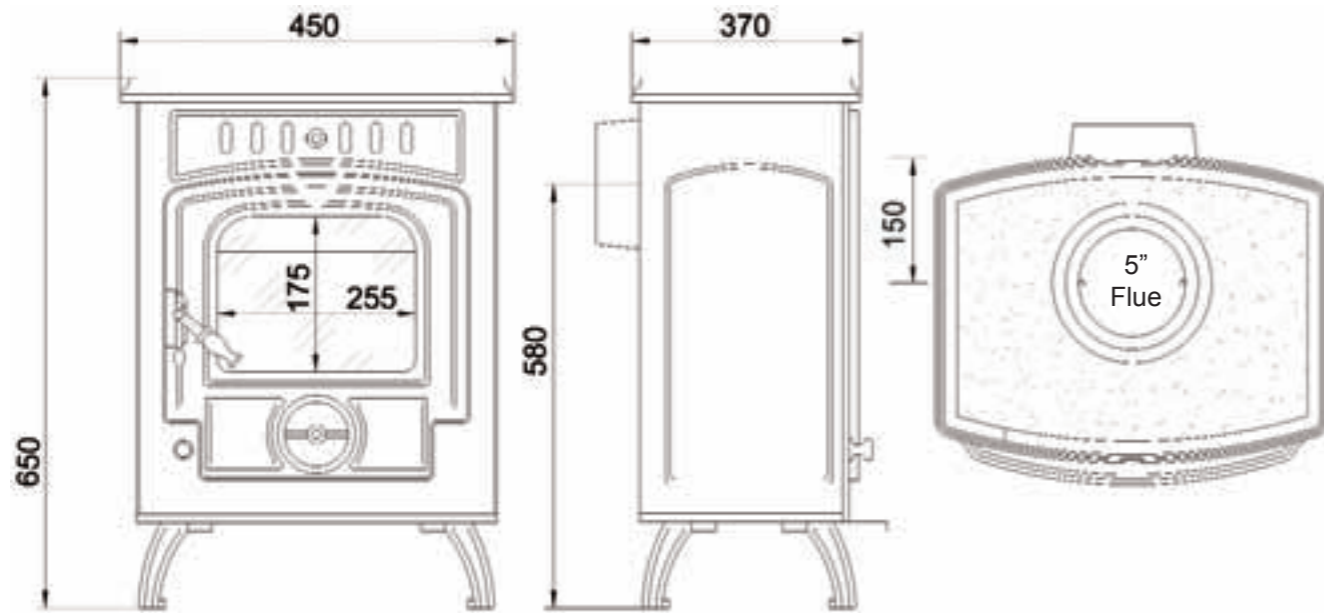
cast iron



# DIMENSIONS AND SPECIFICATIONS

# DIMENSIONS AND SPECIFICATIONS

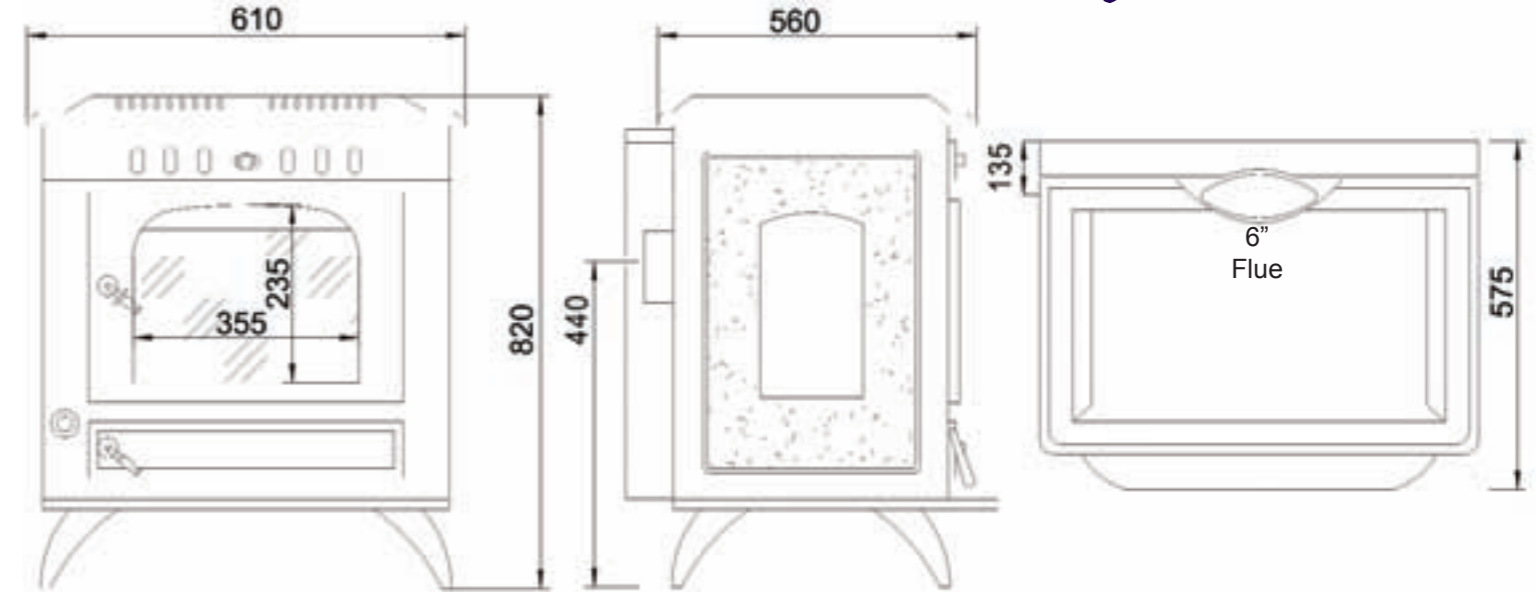
## The Aran - 6kW room heater



Boiler option	no	Total power	6kW
Finishes available	cast iron, brown or black enamel	Output to water (boiler option)	-
Size (h x w x d mm)	650 x 450 x 370	Output to room	6kW
Flue outlet	rear or top	Cleanburn (improved efficiencies)	yes
Flue diameter	125 mm	Airwash (glass cleaning)	yes
CE EN13240 approved	yes	Adjustable burn rate	yes

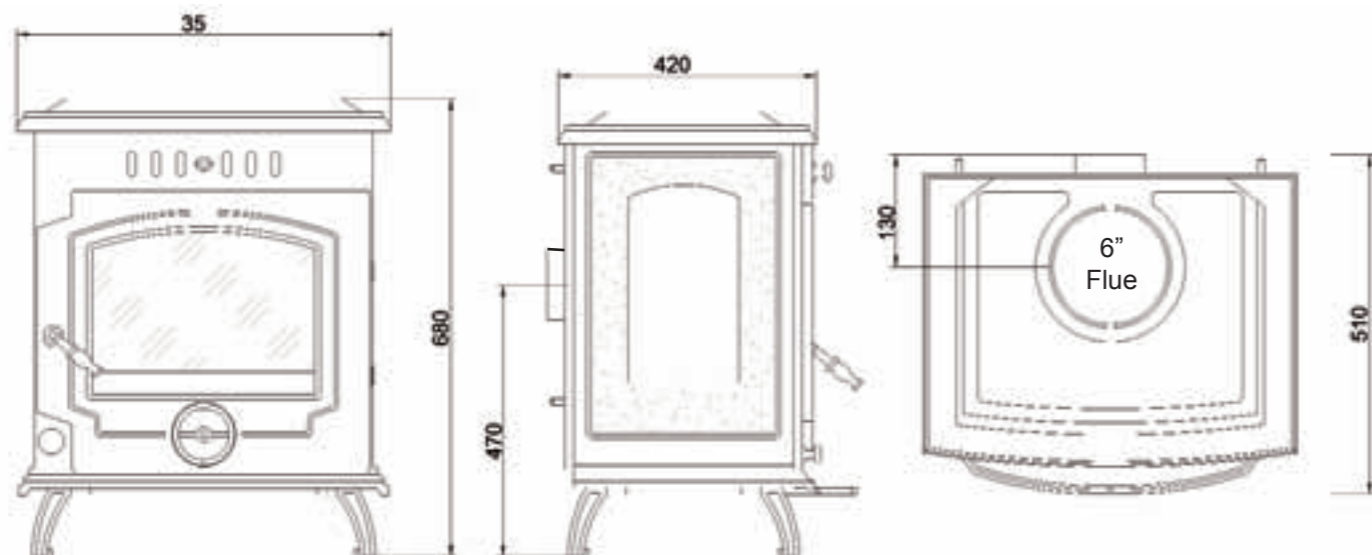
*\*smaller legs are available for the Aran, allowing it to fit into smaller fireplace openings, reducing the height above by 50mm  
Ask your local supplier for details*

## The Basket - 21kW Stove



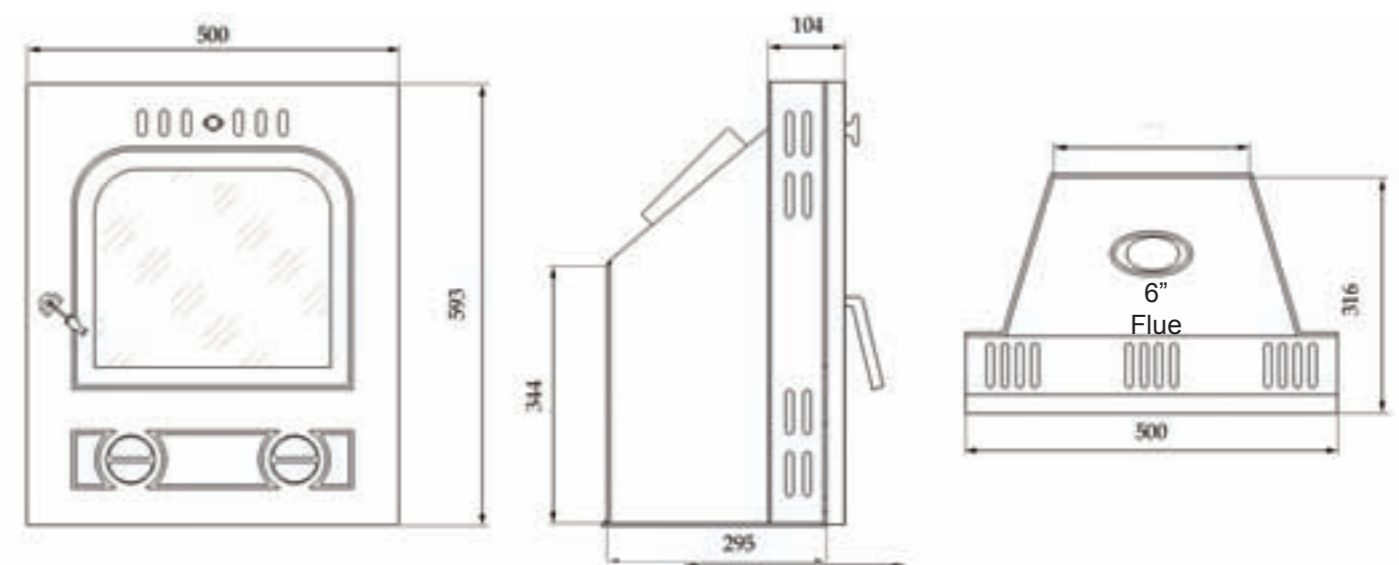
Boiler option	yes	Total power	21kW
Finishes available	cast iron, brown or black enamel	Output to water (boiler option)	15kW
Size (h x w x d mm)	820 x 610 x 560	Output to room	6kW
Flue outlet	rear or top	Cleanburn (improved efficiencies)	yes
Flue diameter	152 mm	Airwash (glass cleaning)	yes
CE EN13240 approved	yes	Adjustable burn rate	yes

## The Skellig - 11.5kW Stove



Boiler option	Yes	Total power	11.5kW
Finishes available	cast iron, brown or black enamel	Output to water (boiler option)	7.5kW
Size (h x w x d mm)	680 x 540 x 420	Output to room	4kW
Flue outlet	rear or top	Cleanburn (improved efficiencies)	yes
Flue diameter	152 mm	Airwash (glass cleaning)	yes
CE EN13240 approved	yes	Adjustable burn rate	yes

## The Valentia - 7kW Insert Stove

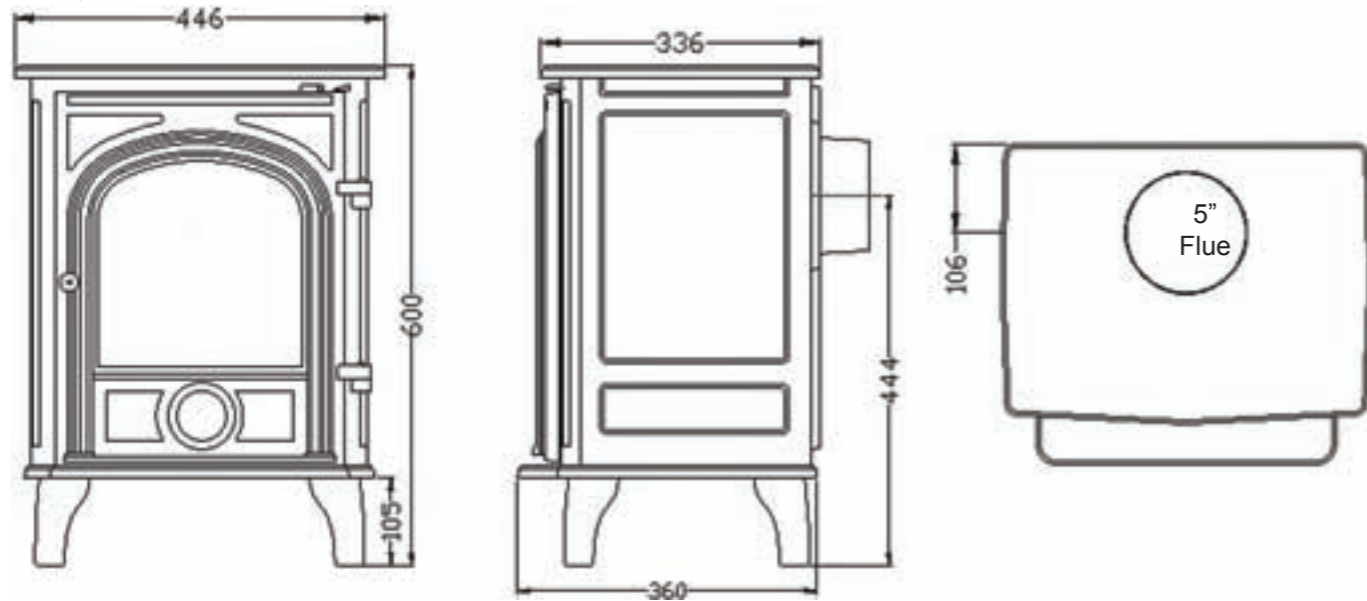


Boiler option	no	Total power	7kW
Finishes available	cast iron	Output to water (boiler option)	-
Size (h x w x d mm)	593 x 500 x 295 (recessed)	Output to room	7kW
Flue outlet	top	Cleanburn (improved efficiencies)	yes
Flue diameter	152 mm	Airwash (glass cleaning)	yes
CE EN13240 approved	yes	Adjustable burn rate	yes

# DIMENSIONS AND SPECIFICATIONS

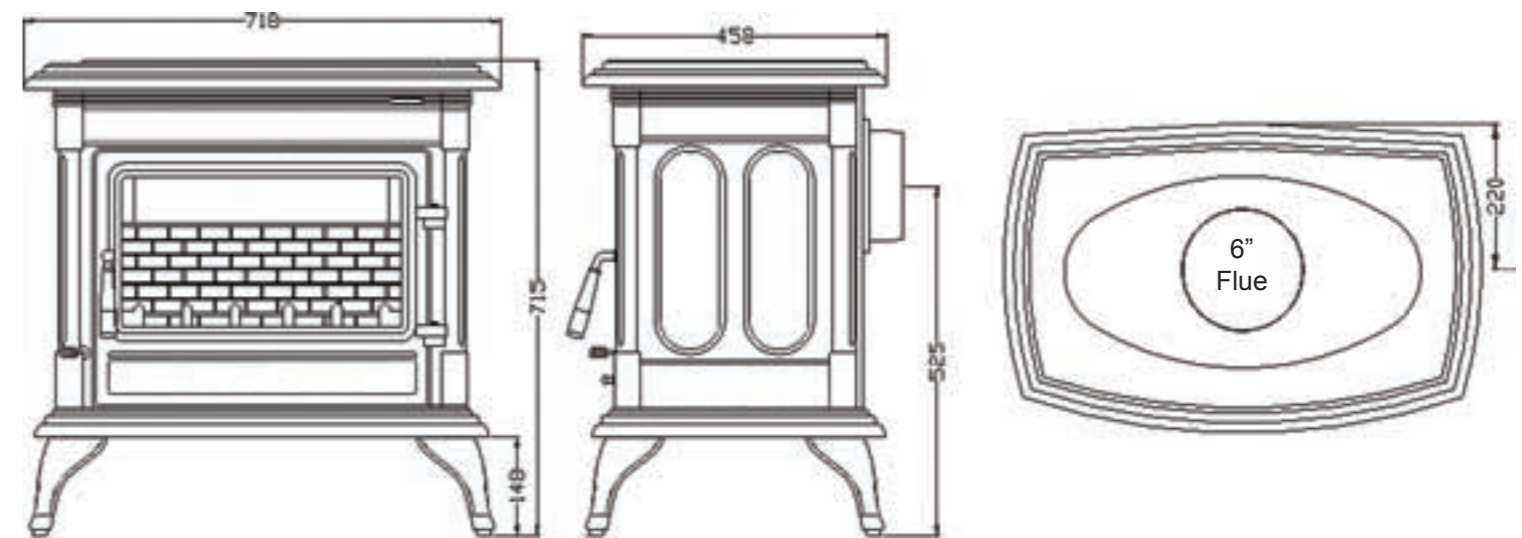
# DIMENSIONS AND SPECIFICATIONS

## The Erme - 6kW room heater



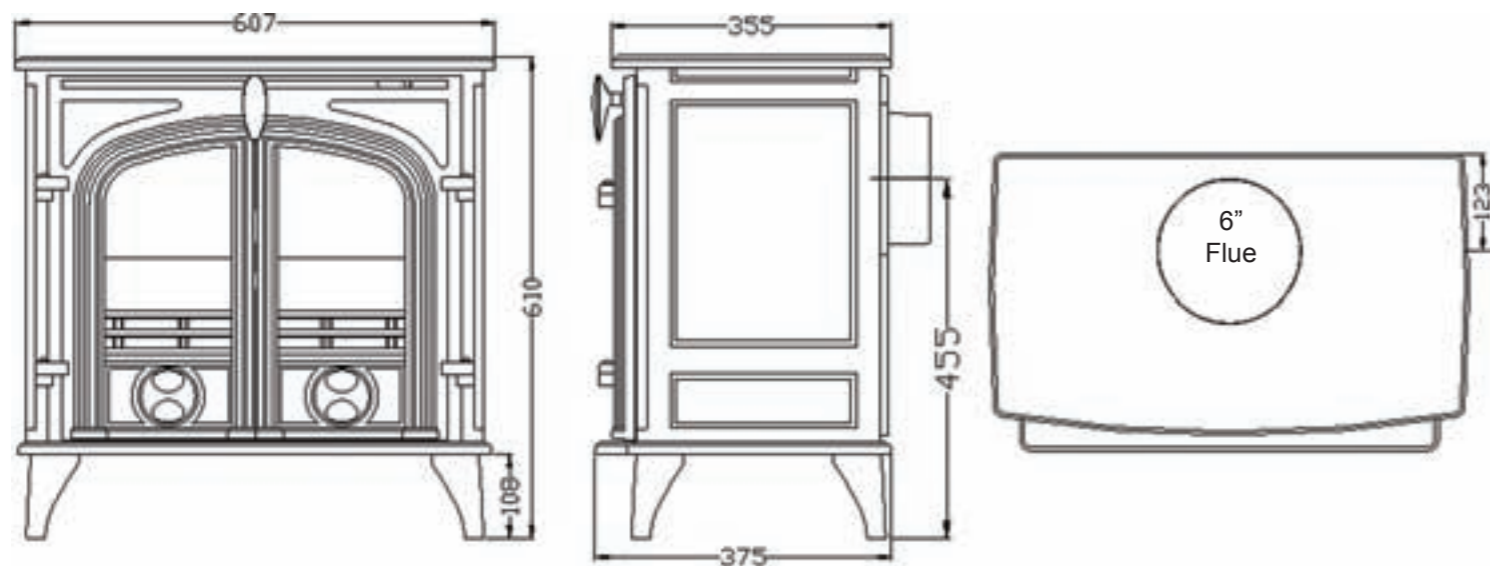
Boiler option	no	Total power	6kW
Finishes available	cast iron	Output to water (boiler option)	-
Size (h x w x d mm)	605 x 440 x 360	Output to room	6kW
Flue outlet	rear or top	Cleanburn (improved efficiencies)	yes
Flue diameter	125 mm	Airwash (glass cleaning)	yes
CE EN13240 approved	yes	Adjustable burn rate	yes

## The Laune - 16kW Stove



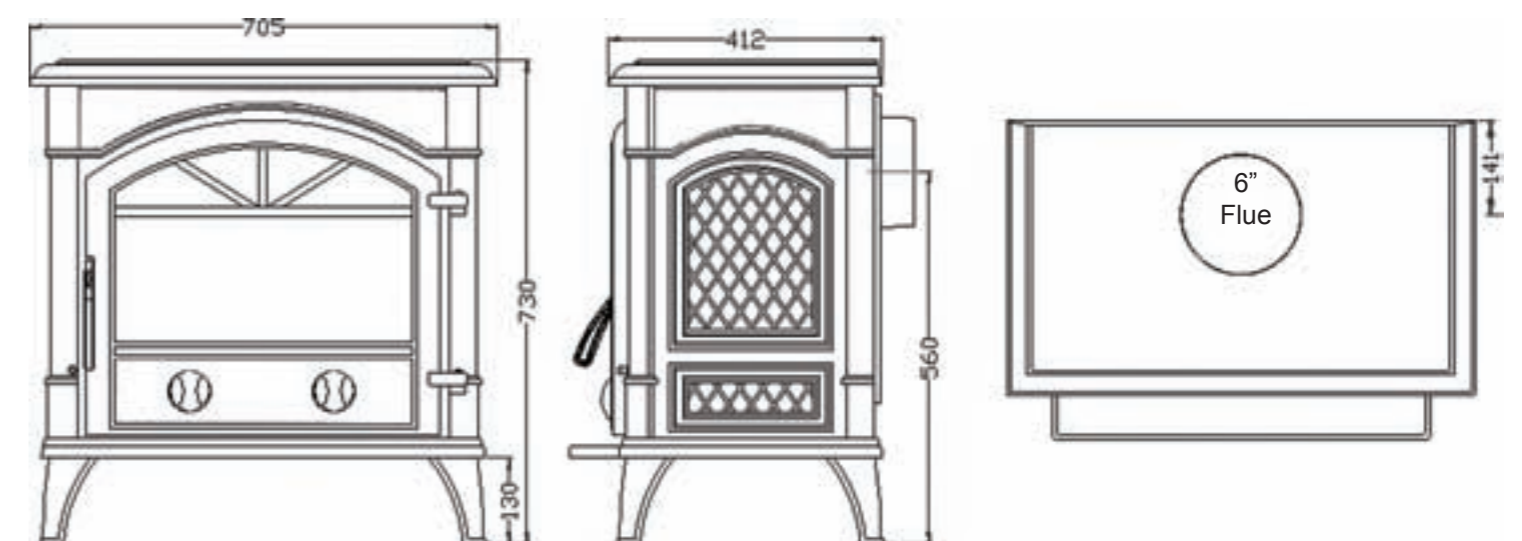
Boiler option	yes	Total power	16kW
Finishes available	cast iron	Output to water (boiler option)	10kW
Size (h x w x d mm)	710 x 720 x 460	Output to room	6kW
Flue outlet	rear or top	Cleanburn (improved efficiencies)	yes
Flue diameter	152 mm	Airwash (glass cleaning)	yes
CE EN13240 approved	yes	Adjustable burn rate	yes

## The Tolka - 12kW Stove



Boiler option	yes	Total power	12kW
Finishes available	cast iron	Output to water (boiler option)	8kW
Size (h x w x d mm)	660 x 470 x 440	Output to room	4kW
Flue outlet	rear or top	Cleanburn (improved efficiencies)	yes
Flue diameter	152 mm	Airwash (glass cleaning)	yes
CE EN13240 approved	yes	Adjustable burn rate	yes

## The Cladagh - 16kW Stove



Boiler option	yes	Total power	16kW
Finishes available	cast iron	Output to water (boiler option)	10kW
Size (h x w x d mm)	730 x 710 x 485	Output to room	6kW
Flue outlet	rear or top	Cleanburn (improved efficiencies)	yes
Flue diameter	152 mm	Airwash (glass cleaning)	yes
CE EN13240 approved	yes	Adjustable burn rate	yes

All dimensions are correct at time of printing, but may be subject to slight change in the future. Please confirm with your new stove prior to commencing installation works

# *The Island & River Collections*

multi fuel stoves

[www.henleystoves.com](http://www.henleystoves.com)

[www.facebook.com/henleystoves](https://www.facebook.com/henleystoves)

Curraheen, Tralee,  
Co Kerry  
Ireland

your local stockist

